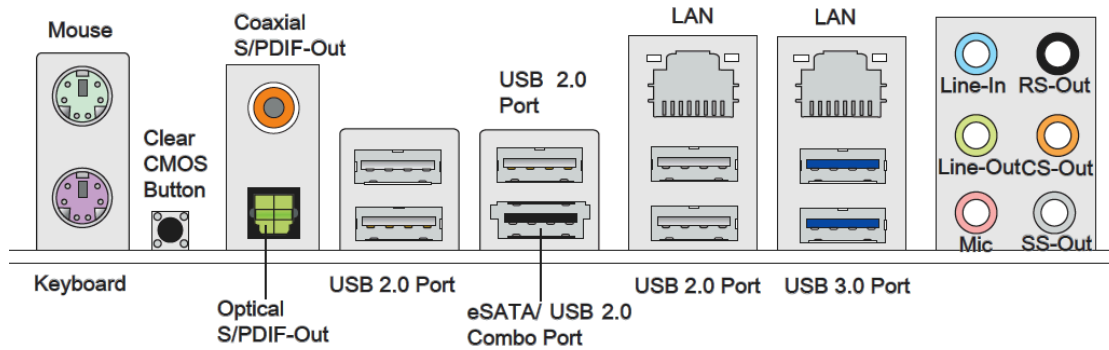


Try hooking the Psyko AMP up like this first:

## Motherboard option 1

### Back Panel

---



#### ► Audio Ports

These audio connectors are used for audio devices. It is easy to differentiate between audio effects according to the color of audio jacks.

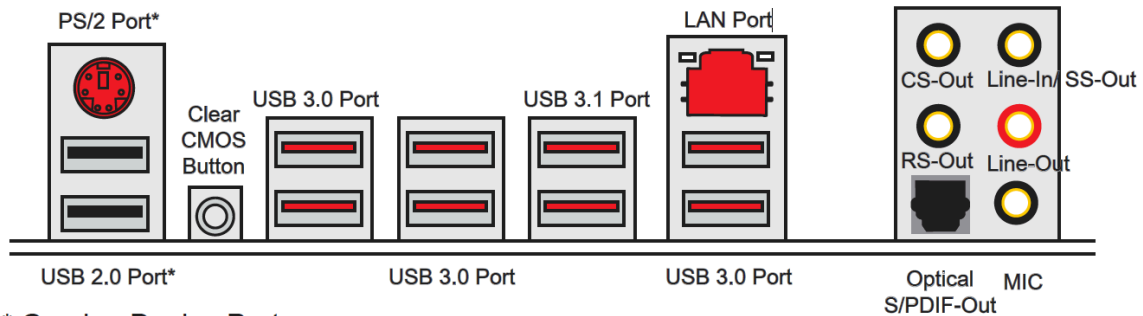
- Line-In (Blue) - Line In, is used for external CD player, tape-player or other audio devices.
- Line-Out (Green) - Line Out, is a connector for speakers or headphones.
- Mic (Pink) - Mic, is a connector for microphones.
- RS-Out (Black) - Rear-Surround Out in 4/ 5.1/ 7.1 channel mode.
- CS-Out (Orange) - Center/ Subwoofer Out in 5.1/ 7.1 channel mode.
- SS-Out (Gray) - Side-Surround Out 7.1 channel mode.

#### Connectors from the Psyko AMP to Audio Ports on back panel.

- Green connector to Green Line-Out: Front L/R
- Black connector to Black RS-Out: Rear Surround L/R
- Gold connector to Orange CS-Out: Center Front and Sub Woofer
- Pink Connector to Pink Mic: Mic.

*\*Make sure you are only using the 5.1 surround sound mode.*

## Motherboard option 2



\* Gaming Device Port

### ► Audio Ports

These connectors are used for audio devices.

- Line-In/ SS-Out: Line-In is used for connecting external audio outputting devices. SS-Out is side surround line out in 7.1 channel mode.
- Line out: Used as a connector for speakers or headphone.
- Mic: Used as a connector for a microphone.
- RS-Out: Rear surround sound line out in 4/ 5.1/ 7.1 channel mode.
- CS-Out: Center/ subwoofer line out in 5.1/ 7.1 channel mode.

### Connectors from the Psyko AMP to Audio Ports on back panel.

- Green connector to Green Line-Out: Front L/R
- Black connector to Black RS-Out: Rear Surround L/R
- Gold connector to Orange CS-Out: Center Front and Sub Woofer
- Pink Connector to Pink Mic: Mic.

*\*Make sure you are only using the 5.1 surround sound mode.*